

# LED Wall Pack Light

# Wall Pack Light

## Product Description

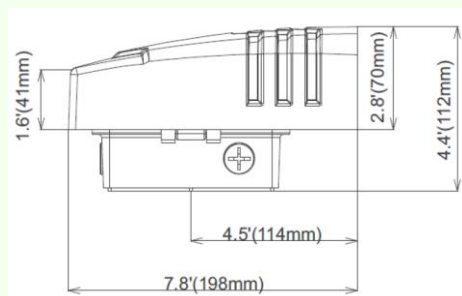
VaOpto's LED Wall Pack Light Series, which replaces traditional wall pack lights, is an energy-efficient, lead-free, UV-free, and long-lasting cold lighting source. In comparison to traditional wall pack lights, VaOpto's LED Wall Pack Series reduces energy consumption by 50%-75%.

## Product Information

- DOB Design
- Power Input: Dual 110/277VAC, 50/60Hz
- CRI 80
- IP65
- Surge Protection: 10KV
- Operation Temperature: -40°C ~ +45°C
- Storage Temperature: -40°C ~ +85°C
- 5-year limited warranty

## Ordering Information

Part Number	Power (W)	Luminosity (LM)	CCT
VO-WP-WW-D30	30	2700	3500K
VO-WP-NW-D30	30	2700	4000K
VO-WP-DW-D30	30	2700	5000K
VO-WP-CW-D30	30	2700	6500K
VO-WP-WW-D50	50	5200	3500K
VO-WP-NW-D50	50	5200	4000K
VO-WP-DW-D50	50	5200	5000K
VO-WP-CW-D50	50	5200	6500K
VO-WP-WW-D70	70	7300	3500K
VO-WP-NW-D70	70	7300	4000K
VO-WP-DW-D70	70	7300	5000K
VO-WP-CW-D70	70	7300	6500K

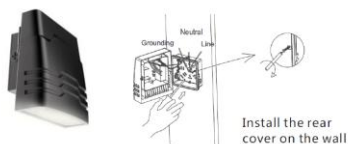


## Certifications

- cULus and DLC rated

## Installation

**Way1:** Cast-in Template for Wall or Junction Box Mounting



Install the rear cover on the wall

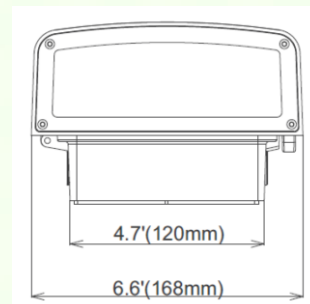
**Way2:** Yoke Mounting Kit for Floodlight Applications



**Way3:** Knuckle Mounting Kit for Floodlight Applications



**Way4:** Slip-adjustable Mounting Kit for Area Lighting



VAOPTO  
5178 W. Patrick Lane  
Las Vegas, NV 89118, U.S.A.  
P: 702-517-5789 F: 702-979-3582  
info@vaopto.com  
www.vaopto.com