

LED Module

12VDC Module

Product Description

VaOpto's LED Module Series, which replaces traditional rope or neon lights, is an energy-efficient, lead-free, UV-free, and long-lasting cold lighting source. In comparison to traditional lights, VaOpto's LED Module Series reduces energy consumption by 50%-90%.

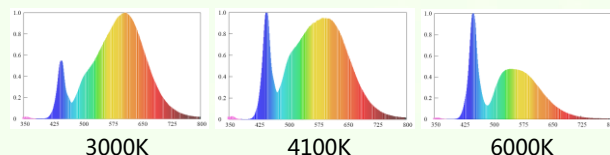
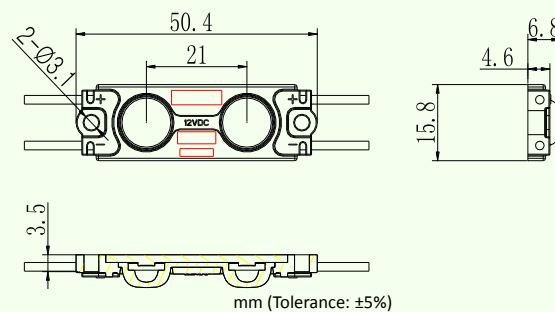
Product Information

- 80+ CRI for white LED
- Viewing Angle: 155°
- Operating Voltage: 12 VDC (±10%)
- Wattage: 0.6 W (±10%)
- Working Temperature: 0-95F (-20 ~ 35°C)
- Lumens Tolerance: ±10%
- CRI Tolerance: ±5%
- Max Connection: 50 pcs
- 5-year limited warranty
- IP66



Ordering Information

Part Number	Color	Wavelength/ Color Temperature (nm/K)	Luminosity (lm/Module)
ZLS-PPBC-TPL2	Pink	2300-2500	55
ZLS-PPBC-TRL2	Red	620-625	7
ZLS-PPBC-TYL2	Yellow	590-594	7
ZLS-PPBC-TGL2	Green	518-522	16
ZLS-PPBC-TBL2	Blue	450-460	8
ZLS-PPBC-TCWL2	Cool White	7100	62
ZLS-PPBC-TDWL2	Day White	4900-5100	65
ZLS-PPBC-TNWL2	Neutral White	4000-4200	64
ZLS-PPBC-TWWL2	Warm White	3100-3300	62
ZLS-PPBC-TXWL2	Extra Warm White	2700-2900	60

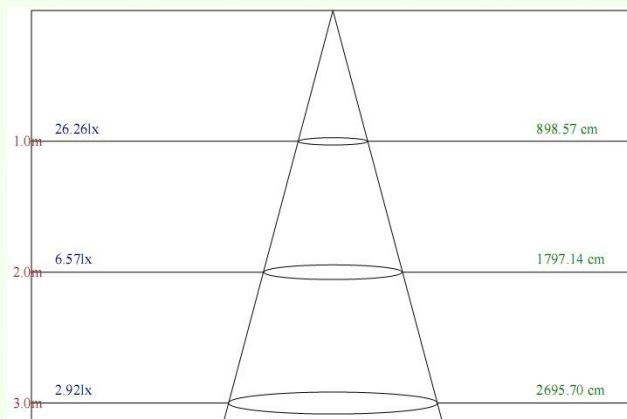


Certifications

- cULus File# E301137
- Sign Components Manual (UL SAM)
- USA and Canada Patent pending

Installation

For installation information please refer to the installation guide found on our website, www.vaopto.com.



VAOPTO
5178 W. Patrick Lane
Las Vegas, NV 89118, U.S.A.
P: 702-517-5789 F: 702-979-3582
info@vaopto.com
www.vaopto.com