

LED CANOPY LIGHT

Installation Manual



VAOPTO
5178 West Patrick Lane
Las Vegas, NV 89118, USA
P: 702-517-5789
info@vaopto.com
www.vaopto.com

Installation Instruction Option 1

Installation steps:

STEP 1: Drill two holes on the ceiling ,then knock expansion screws with a hammer in the wall (see Fig. 1 and Fig. 2)

STEP 2: Fix the hook on the ceiling then hook the luminaire on he hook.(see Fig. 3)

STEP 3: Connect the AC wiring in right way (see Fig. 4)

STEP 4: Turn on the power, then the luminaire lighting

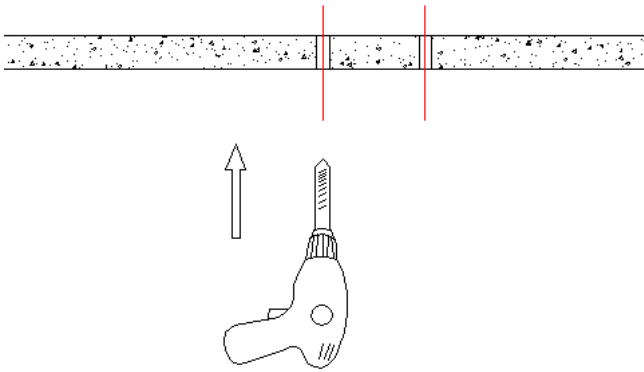


Fig. 1

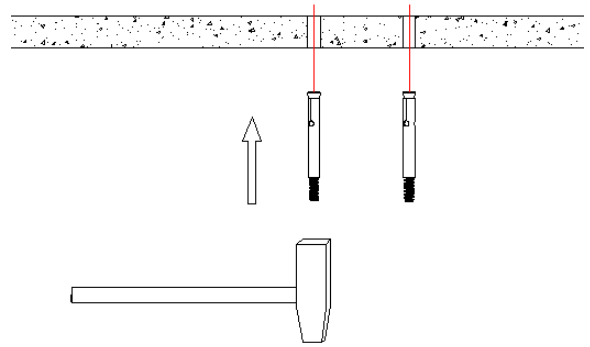


Fig. 2

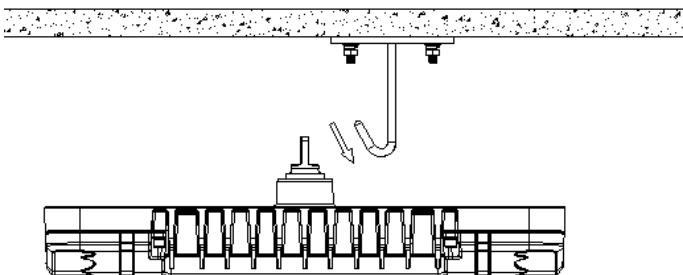


Fig. 3

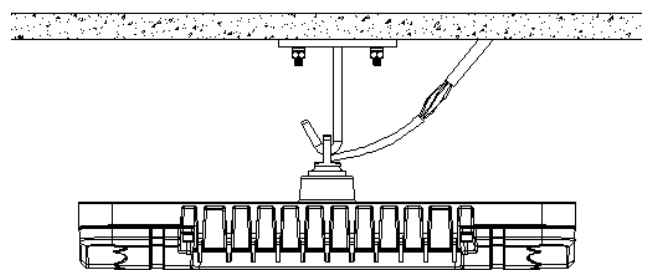


Fig. 4

Installation Instruction Option 2

Installation steps:

STEP 1: Drill four small holes and cut a 2" hole on the canopy, then knock rubber plugs with a hammer in the wall (see Fig. 1 and Fig. 2);

STEP 2: To mount the luminaire to the canopy, insert and tighten four self-drilling screw (see Fig. 3).

STEP 3: Connect the AC wiring in right way .

STEP 4: From above canopy feed leads from luminaire through customer supplied 3/4" NPT stem. Screw the NPT stem into luminaire hub (see Fig. 4)

STEP 5: Paint sealant around stem, hub for a complete seal.

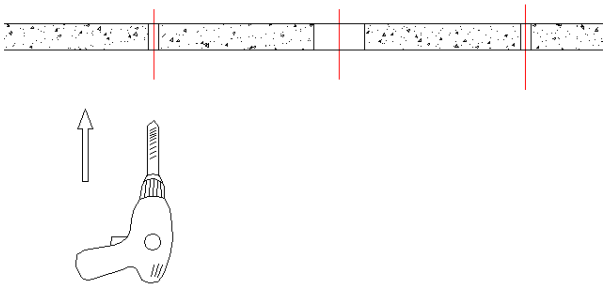


Fig. 1

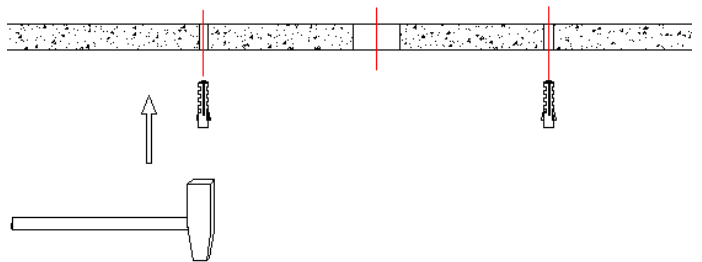


Fig. 2

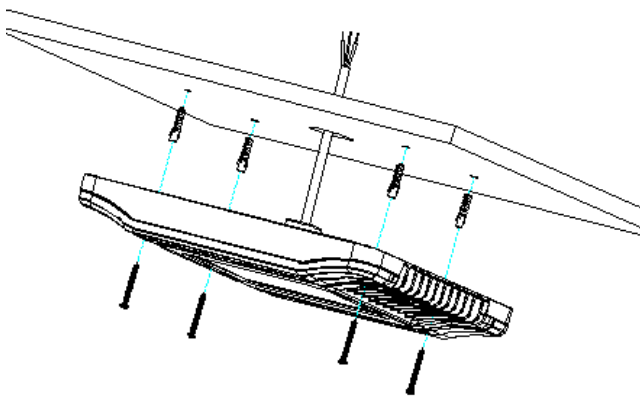


Fig. 3

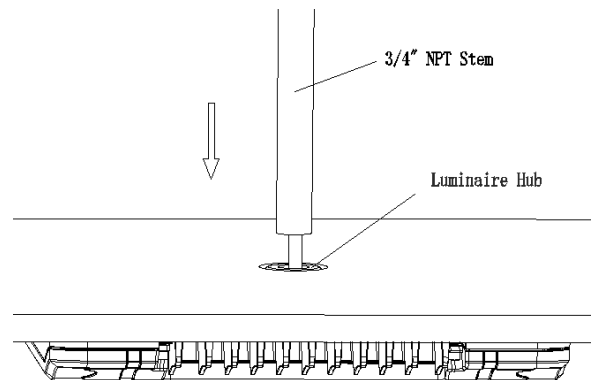


Fig. 4

Installation Instruction Option 3

Installation steps:

STEP 1: Fix the Mounting plate on the luminaire with four screws(see Fig. 1 and Fig. 2)

STEP 2: Fix the Mounting plate on the 3/4" NPT stem (see Fig. 3)

STEP 3: Connect the AC wiring in right way (see Fig. 4)

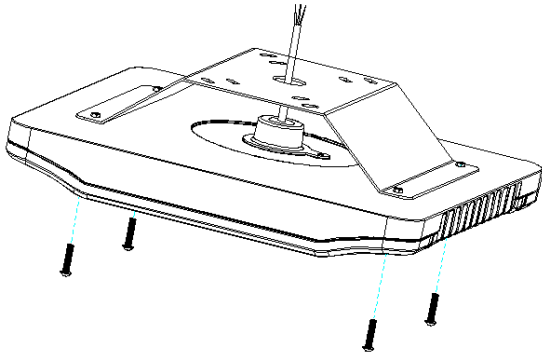


Fig. 1

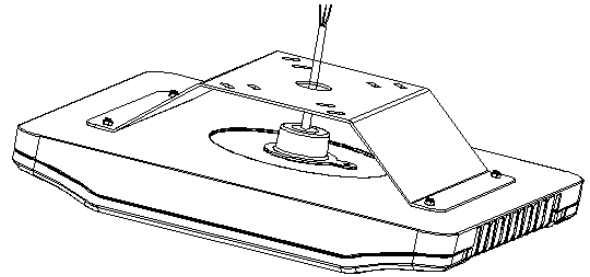


Fig. 2

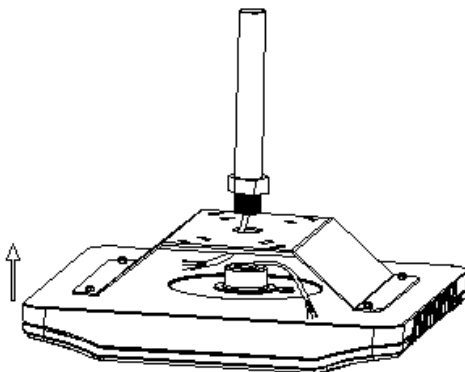


Fig. 3

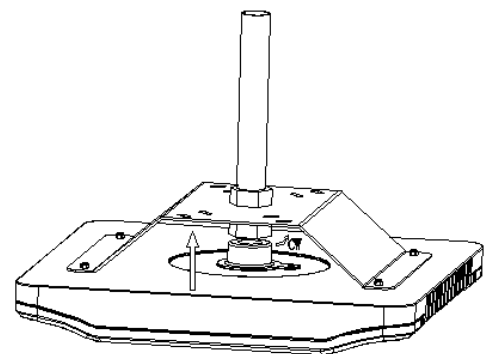


Fig. 4

Warning: Please make sure the power is off before installation.

1. Personnel to install the lamps and lanterns must have professional electrical knowledge, to prevent from electric shock or fire risk
2. We suggest you wear gloves to avoid injury before installing the lamp
3. During installation, if there is smoke, case like ignition on wires, lamps and lanterns, please turn off the power immediately and notify relevant personnel of a overhaul
4. Adopt lamps and lanterns that can be used for outdoor installation.