

With world-class manufacturing facility since 1969 (30 million products manufactured daily, ISO14001/ISO9001/TS16949 certified, RoSH compliant, white LED licensed/patented), VAOPTO, an Energy Star SSL Partner, offers LEDs, LED assemblies, and LED light engines with USA quality, USA standard, custom service, and the competitive price.

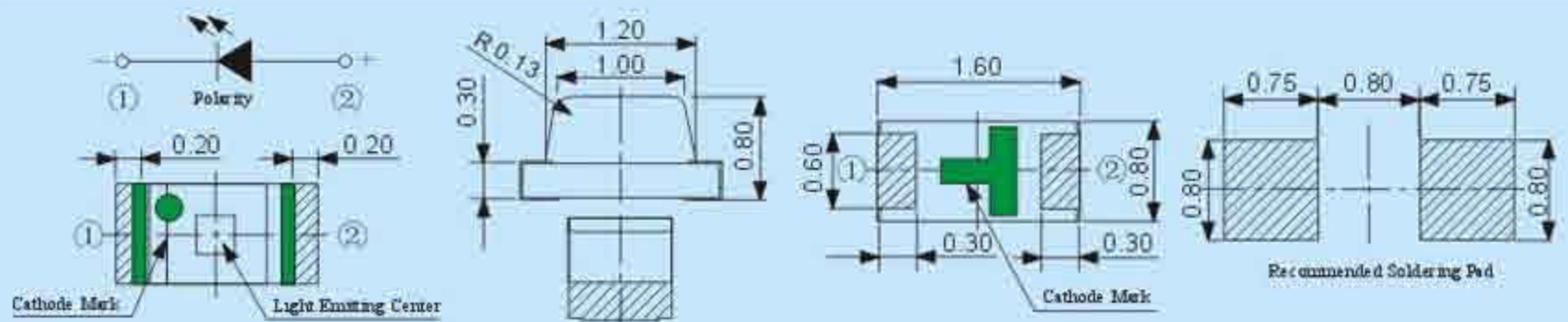
Applications: Backlight of cell phone key, LCD backlight, automobile indication lighting, electronic products using surface mounted structures.

Features: High intensity, high reliability, miniature package, long life, low power consumption.

Color: Single-color.

Size: 0.4mm, 0.6mm, and 0.8mm thickness.

CHIP LED 0603 SMD

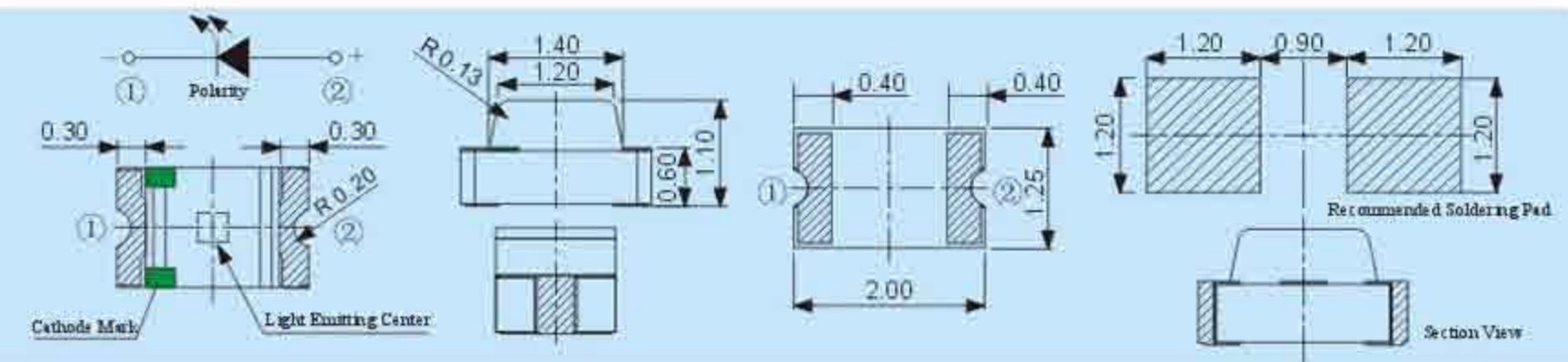


Applications: Backlight of cell phone key, LCD backlight, automobile indication lighting, electronic products using surface mounted structures.

Features: High intensity, high reliability, miniature package, long life, low power consumption.

Color: Single-color.

CHIP LED 0805 SMD

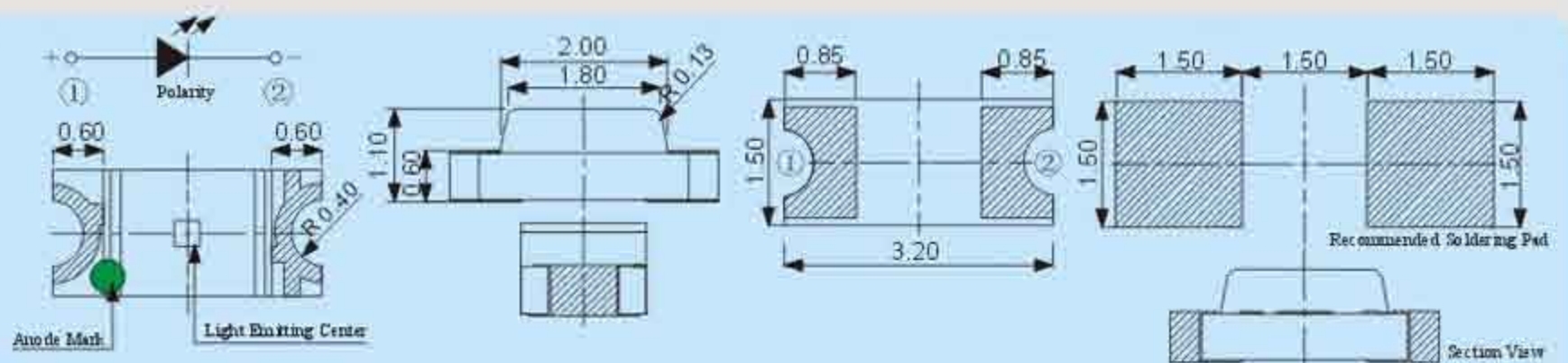


Applications: Backlight of cell phone key, LCD backlight, automobile indication lighting, electronic products using surface mounted structures.

Features: High intensity, high reliability, miniature package, long life, low power consumption.

Color: Single-color, dual-color, tri-color.

CHIP LED 1206 SMD



Vaopto (Headquarter)

5178 West Patrick Lane
Las Vegas ,NV 89118

P:702-517-5789

F: 702-979-3582

info@vaopto.com

www.vaopto.com

Vaopto (Canada)

7300 Victoria Park Ave, Unit F
Markham, ON, L3R 1J1 Canada

P:905-707-5591

F: 905-707-6251

ychin@vaopto.com

www.vaopto.com

Distributors

www.america11.com

www.e-sonic.com

www.fetech.com.br

www.marshelectronics.com

www.mixdeal.com.ar

www.nacsemi.com

www.pacrimolec.com

www.wpgamericas.com

LED Engine

Applications: SSL Lighting, Industrial Lighting, Commercial, Residential Lighting.
Features: Energy Saving, Long Life, Cool Light, Green Environment.



LED Modules



Flex/Hard Strips, Tube Light



LED Reading Lamp



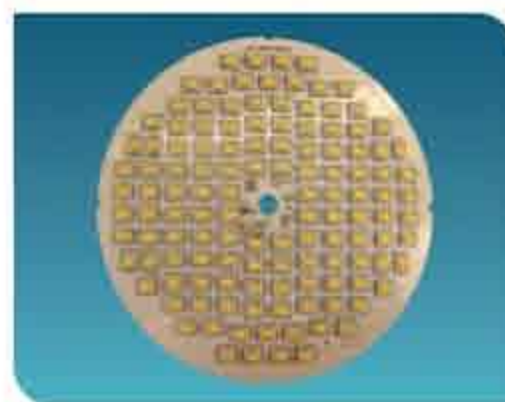
Spot Light/Down Light/R Lamp/Bulb



LED Ceiling Light



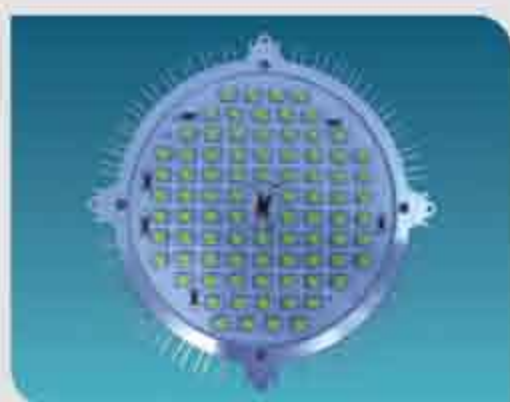
LED Panel Light



LED Hi-Bay/Low-Bay



LED Street Light/LED Parking Lot Light



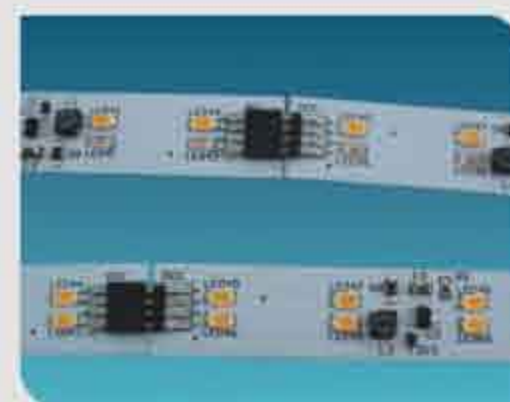
Heat Solution



Optical Lens Solution



UV LED Luminaire



Schematical Design & Connector Design



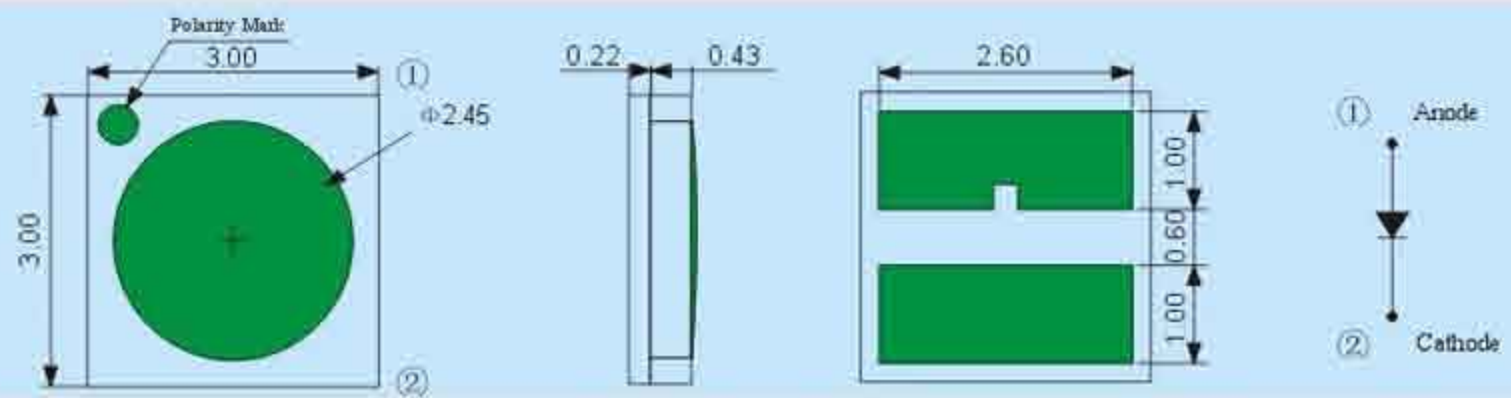
Applications: LED display screen, architecture lighting, automobile indication lighting, cell phone.

Features: High intensity, high reliability, long life, low power consumption.

Package Method: Ceramic+Silicone

Color: Single-color.

TOP LED 3030 SMD



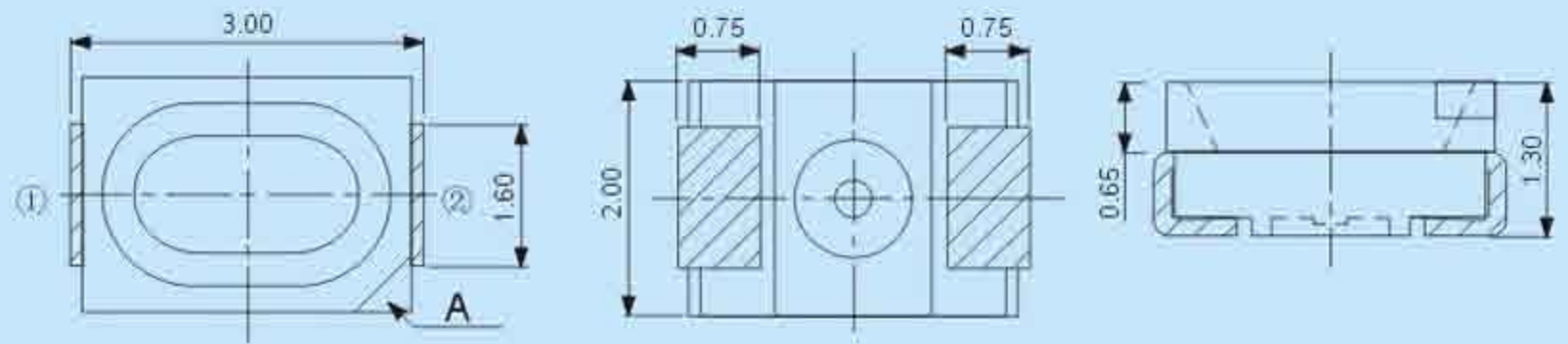
Applications: LED display screen, architecture lighting, automobile indication lighting, cell phone.

Features: High intensity, high reliability, long life, low power consumption.

Package Method: PLCC2.

Color: Single-color.

TOP LED 3020 SMD



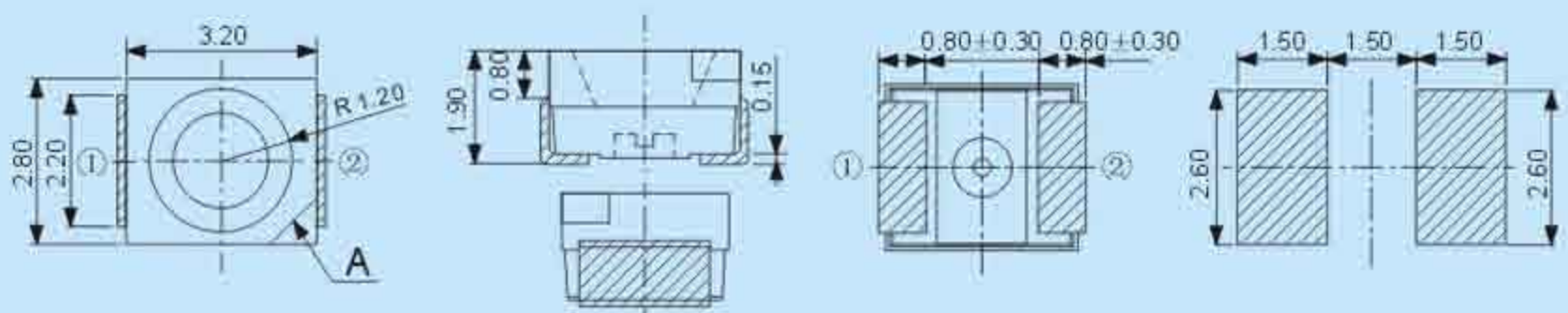
Applications: LED display screen, architecture lighting, automobile indication lighting, cell phone.

Features: High intensity, high reliability, long life, low power consumption.

Package Method: PLCC2, PLCC4, PLCC6.

Color: Single-color, dual-color, tri-color.

TOP LED 3528 SMD





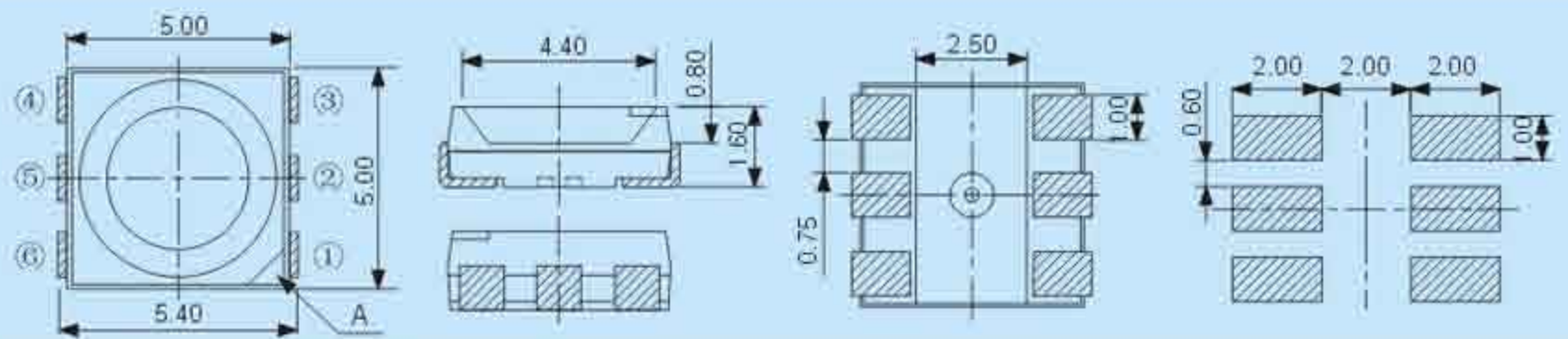
Applications: LED display screen, architecture lighting, automobile indication lighting, cell phone.

Features: High intensity, high reliability, long life, low power consumption.

Package Method: PLCC4, PLCC6

Color: Single-color, dual-color, tri-color.

TOP LED 5050 SMD



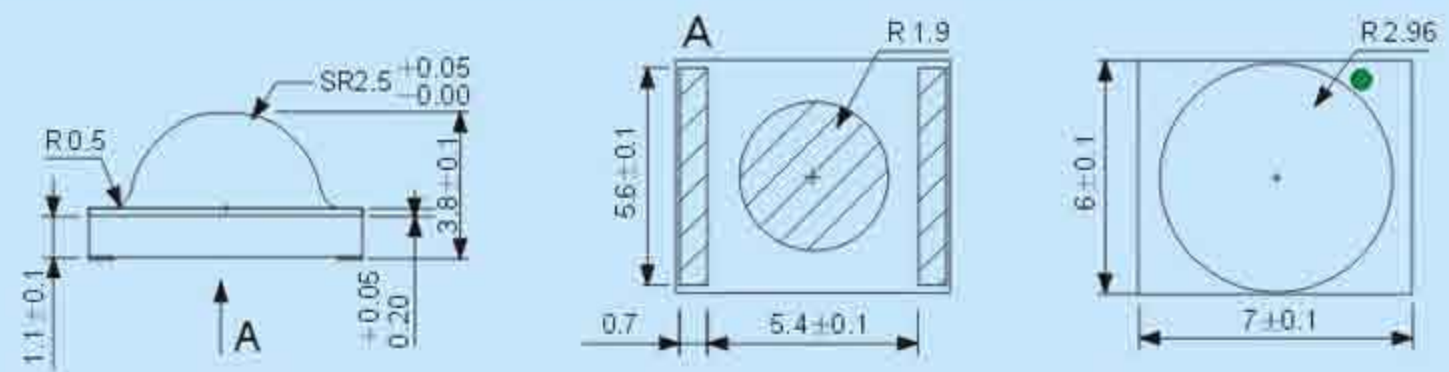
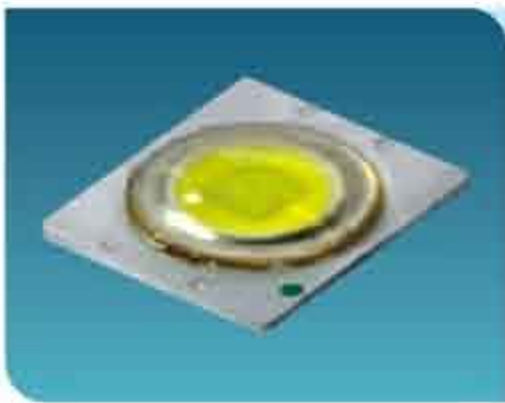
Applications: Residential, commercial, industrial, decoration, automobile, plane signal indication, traffic signal, backlight, architecture lighting, mineworker lighting, electronic torch.

Features: High efficiency, high reliability, long life, low thermal resistance.

Color: Red, orange, yellow, green, blue, white.

Package Method: SMD **Power Grade:** 0.5W, 1W, 3W.

HIGH POWER LED



LED Backlight and Display Module

Applications: Home application, gambling machine, and instruments display indoor display screen.

Features: Single color, full color, low power, long life, high reliability.



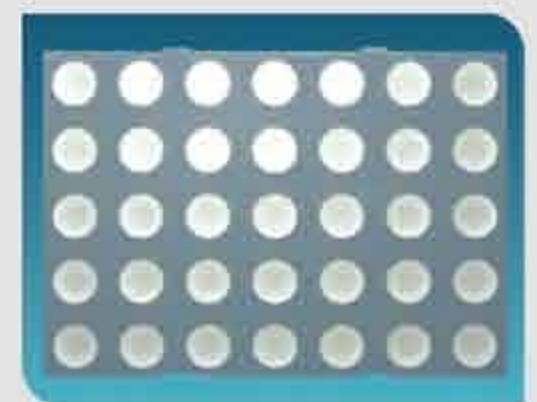
LED Backlight



LED Display Module



LED Display Module



DOT Matrix