

Product Description

VaOpto's LED Module IP65 Series is an energy-efficient, lead-free, UV-free, and long-lasting cold lighting source. In comparison to traditional light sources, VaOpto's LED Module IP65 Series reduces energy consumption by 50%-75%.

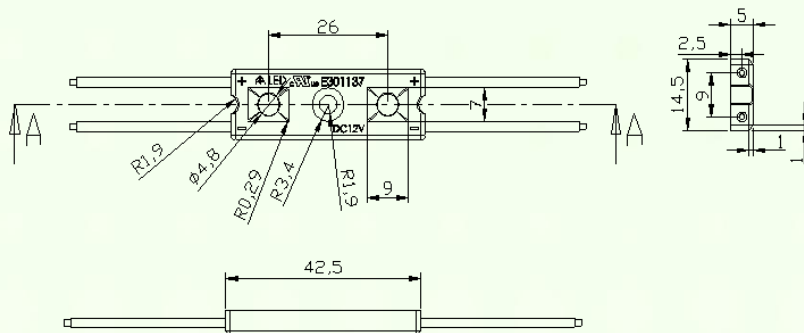
Product Information

- Cool White: CRI > 80
- Neutral White: CRI > 80
- Warm White: CRI > 80
- Work voltage: 12V
- Viewing angle: 120°
- Three-year limited warranty
- IP 65

Ordering Information

ZLS-PPBC-AX Series (X may be R, Y, G, B, CW, NW, WW)

Part Number	Color	Size (in)	Power (W)	LED Qty. /module	Luminosity (LM)	Wavelength/CCT
ZLS-PPBC-AR	Red	1.67×0.57×0.2	0.48	2	10	625nm
ZLS-PPBC-AY	Yellow	1.67×0.57×0.2	0.48	2	10	589nm
ZLS-PPBC-AG	Green	1.67×0.57×0.2	0.48	2	16	515nm
ZLS-PPBC-AB	Blue	1.67×0.57×0.2	0.48	2	7	470nm
ZLS-PPBC-ACW	Cool white	1.67×0.57×0.2	0.48	2	32	5500-8000K
ZLS-PPBC-ANW	Neutral white	1.67×0.57×0.2	0.48	2	30	3500-5500K
ZLS-PPBC-AWW	Warm white	1.67×0.57×0.2	0.48	2	28	2600-3500K



ZLS-PPBC-TX Series (X may be R, Y, G, B, CW, NW, WW)

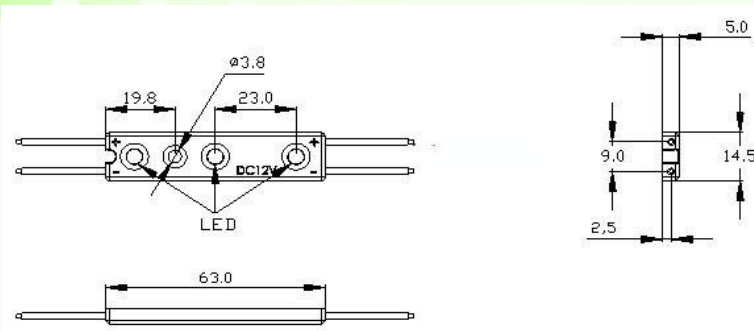
Part Number	Color	Size (in)	Power (W)	LED Qty. /module	Luminosity (LM)	Wavelength/CCT
ZLS-PPBC-TR	Red	2.48×0.57×0.2	0.72	3	15	625nm
ZLS-PPBC-TY	Yellow	2.48×0.57×0.2	0.72	3	15	589nm
ZLS-PPBC-TG	Green	2.48×0.57×0.2	0.72	3	24	515nm
ZLS-PPBC-TB	Blue	2.48×0.57×0.2	0.72	3	10	470nm
ZLS-PPBC-TCW	Cool white	2.48×0.57×0.2	0.72	3	48	5500-8000K
ZLS-PPBC-TNW	Neutral white	2.48×0.57×0.2	0.72	3	45	3500-5500K
ZLS-PPBC-TWW	Warm white	2.48×0.57×0.2	0.72	3	42	2600-3500K



E301137

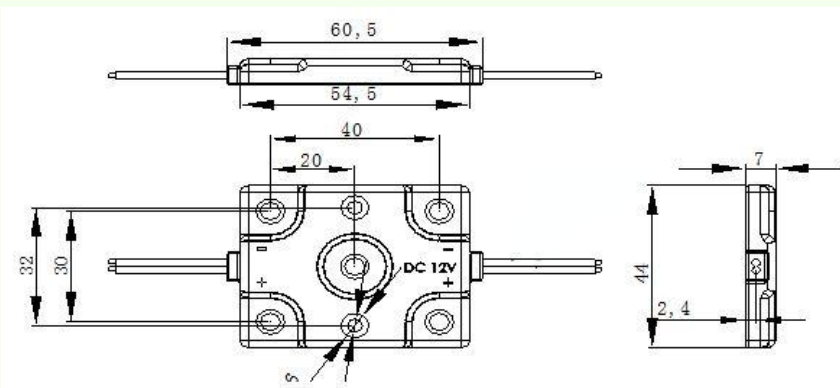


VaOpto
LED Manufacturer



ZLS-PPBC-FX Series (X may be R, Y, G, B, CW, NW, WW)

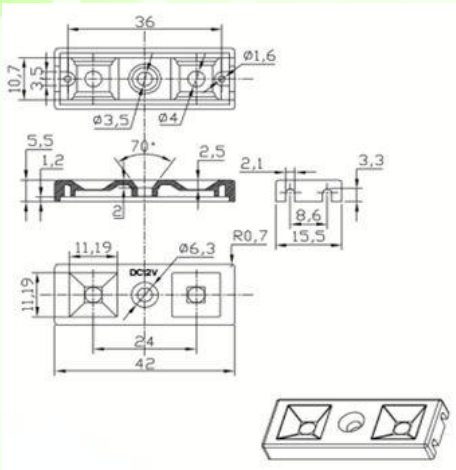
Part Number	Color	Size (in)	Power (W)	LED Qty. /module	Luminosity (LM)	Wavelength/CCT
ZLS-PPBC-FR	Red	2.38x1.73x0.28	1.2	5	25	625nm
ZLS-PPBC-FY	Yellow	2.38x1.73x0.28	1.2	5	25	589nm
ZLS-PPBC-FG	Green	2.38x1.73x0.28	1.2	5	40	515nm
ZLS-PPBC-FB	Blue	2.38x1.73x0.28	1.2	5	16	470nm
ZLS-PPBC-FCW	Cool white	2.38x1.73x0.28	1.2	5	80	5500-8000K
ZLS-PPBC-FNW	Neutral white	2.38x1.73x0.28	1.2	5	75	3500-5500K
ZLS-PPBC-FWW	Warm white	2.38x1.73x0.28	1.2	5	70	2600-3500K



ZLS-PPBC-BX Series (X may be R, Y, G, B, CW, NW, WW) (IP44)

Part Number	Color	Size (in)	Power (W)	LED Qty. /module	Luminosity (LM)	Wavelength/CCT
ZLS-PPBC-BR	Red	1.67x0.57x0.2	0.48	2	10	625nm
ZLS-PPBC-BY	Yellow	1.67x0.57x0.2	0.48	2	10	589nm
ZLS-PPBC-BG	Green	1.67x0.57x0.2	0.48	2	16	515nm
ZLS-PPBC-BB	Blue	1.67x0.57x0.2	0.48	2	7	470nm
ZLS-PPBC-BCW	Cool white	1.67x0.57x0.2	0.48	2	32	5500K-8000K
ZLS-PPBC-BNW	Neutral white	1.67x0.57x0.2	0.48	2	30	3500K-5500K
ZLS-PPBC-BWW	Warm white	1.67x0.57x0.2	0.48	2	28	2600K-3500K





ZLS-PPBC-HX Series (X may be R, Y, G, B, CW, NW, WW)

Part Number	Color	Size (in)	Power (W)	LED Qty. /module	Luminosity (LM)	Wavelength/CCT
ZLS-PPBC-HR	Red	1.52×0.45×0.24	0.12	2	3	625nm
ZLS-PPBC-HY	Yellow	1.52×0.45×0.24	0.12	2	3	589nm
ZLS-PPBC-HG	Green	1.52×0.45×0.24	0.12	2	6	515nm
ZLS-PPBC-HB	Blue	1.52×0.45×0.24	0.12	2	2	470nm
ZLS-PPBC-HCW	Cool white	1.52×0.45×0.24	0.12	2	14	5500K-8000K
ZLS-PPBC-HNW	Neutral white	1.52×0.45×0.24	0.12	2	13	3500K-5500K
ZLS-PPBC-HWW	Warm white	1.52×0.45×0.24	0.12	2	12	2600K-3500K



ZLS-PPBC-RGB

Part Number	Color	Size (in)	Power (W)	LED Qty. /module	Luminosity (LM)	Wavelength/CCT
ZLS-PPBC-RGB	RGB	2.46×0.62×0.24	0.72	3	/	2600-3500K



Energy Star Performance

- Lamps designed to produce at least 70% of initial light output after 25,000 hours

Power

- Input Voltage: 12V DC

Certifications

- cULus File # E301137

Installation

For installation information please refer to the installation guide found on our website, www.vaopto.com.



E301137



VaOpto
LED Manufacturer