



# TOP RGB LED

Ultra-Thin 5050 Series



5050 Series

## Features

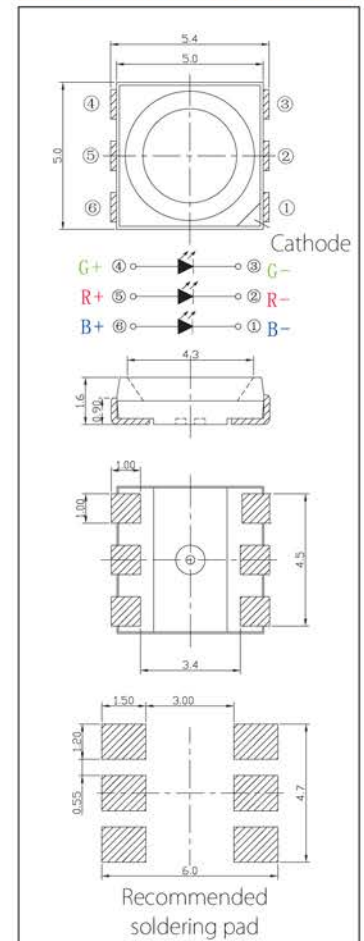
- White frame and high brightness;
- Transparent encapsulation with epoxy resin , wide viewing angle and high reliability;
- Small size, light weight, high reliability, long lifespan and easy to control;
- Apply to strips, tubes, stage lights and other decorative illuminates.

## Absolute Maximum Ratings :

Parameter	Symbol	Rating
Forward Current	$I_F$	25mA
Pulse Forwards Current	$I_{FP}$	100mA
Reverse Voltage	$V_R$	5V
Working Temperature	$T_{OPR}$	-30~+85°C
Storage Temperature	$T_{STG}$	-40~+100°C

• Pulse Width≤0.1ms, Duty cycle≤1/10

## Outline Dimensions/Unit: mm



Tolerance : ±0.1mm

## Parameter/ $T_a=25^\circ\text{C}$ :

Level	Part Number	Color	$I_F$ (mA) TEST	$\lambda_D$ (nm)/XY Typ.	$I_V$ (mcd) Typ.	$V_F$ (V) Typ.	View angle (deg.)
Standard Brightness	VO-FM-5050RGBK-HG		20	620	350	2.0	110
			20	520	1500	3.0	110
			20	470	450	3.0	110
High Red Brightness	VO-FM-5050RGBK-SG		20	620	650	2.0	110
			20	520	1500	3.0	110
			20	470	485	3.0	110