



July 27, 2009

LED Ceiling Light

SPECIFICATION



RoHS Compliant  

World-class optoelectronic device manufacturing facility since 1969
25 million products manufactured daily
ISO14001 / ISO9001 / TS16949 Certified
White Licensed



Contents

Introduction 4
VO-CL-3CW16-2100-90-120 Series 5
General Precautions 7
Warranty and Liability Information 7
Contact Us 7

Introduction

VaOpto's Light Emitting Diode (LED) Ceiling Light Series saves energy and lasts a long life.

Environmentally Conscious

Energy efficient, lead free, and long life means fewer lamp replacements vs. standard fluorescent ceiling light and incandescent light sources.

Outstanding Energy Efficiency

Compare to standard Incandescent light sources, VaOpto's LED Ceiling Light Series are reducing energy consumption by 70%-80%. The lamps' optics concentrates light on the target, diminishing wasted extraneous light and increases the CBCP.

Long Life = Labor Savings

Delivers at least 70% of initial light output after at last 50,000 hours.

Various Colors

Cool White (5000-10000K)
Neutral White (3700-5000K)
Warm White (2600-3700K)

Excellent Color Rendering

Cool White: CRI > 70
Neutral White: CRI > 75
Warm White: CRI > 80

Various Viewing Angles

90 degrees

Product feature

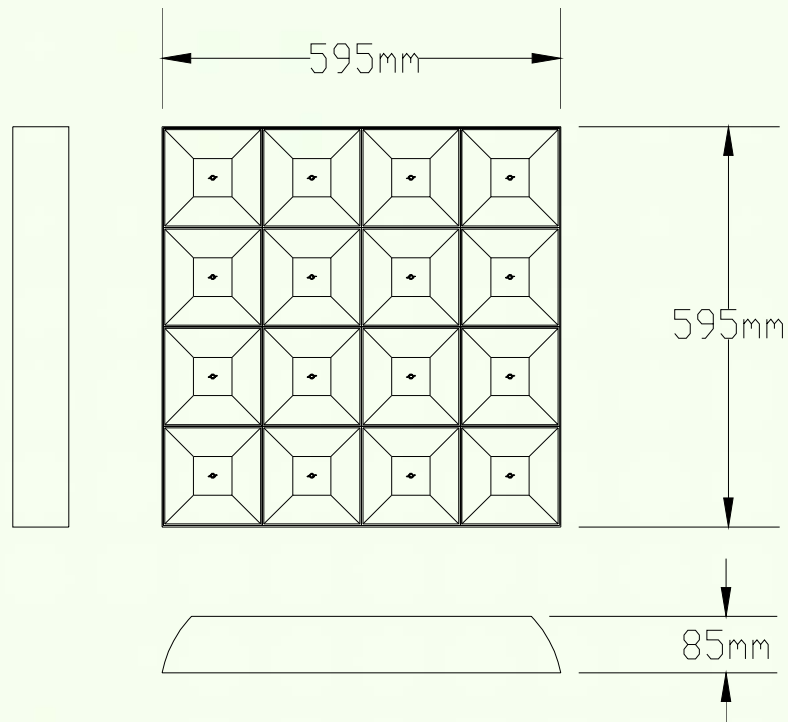
100-240V AC Input

VO-CL-3CW16-2100-90-120 Series where X may be CW, NW, or WW

Product Appearance



General Dimensions



Electrical-Optical Characters

Distance to the center	0m	0.5m	1m	1.5m	2m
2m	475 LUX	405 LUX	266 LUX	143 LUX	23 LUX
2.5m	319 LUX	283LUX	221LUX	135LUX	76LUX

Part number	Color	Size (mm)	LED no.	Power (w)	Lumens (lm)	Viewing Angle	Input Voltage (VAC)
VO-CL-3CW16-2100-90-120	Cool White	595*595*85	16	50	2100	90	100-240
VO-CL-3NW16-1900-90-120	Neutral White	595*595*85	16	50	1900	90	100-240
VO-CL-3WW16-1700-90-120	Warm White	595*595*85	16	50	1700	90	100-240

Precautions

- LEDs are static sensitive devices. Precautions should be taken to ensure that LEDs are well protected from ESD during handling.
- ESD protection for GaP and AlGaAS based chips is still necessary even though the chips are safe in low static-electric discharge events
- AllnGap, GaN and/or InGaN based chips are STATIC SENSITIVE devices and ESD protection must be taken into consideration in the initial design stages.
- Do not operate LEDs in reverse bias.

Warranty and Liability Information

- Two years limited warranty.
- The information contained herein is presented only as a guide for the applications of our products.
- No responsibility is assumed by VAOPTO for any infringements of intellectual property or other infringements of the rights of third parties that may result from its use.
- VAOPTO is committed to a process of continuous improvements of the quality and the features of its products and reserves the right to make changes that result in such improvements.
- VAOPTO products are not intended for use in applications where extraordinarily high reliability is required to prevent the loss of human life or where failure could result in bodily injury.
- VAOPTO limits the extent of our liability to the initial component cost and will, in the event of a failure, replace a failed component or refund the purchase price at VAOPTO option.

For customer service and technical support, please contact:

Headquarter:

Virginia Optoelectronics, Inc.
1405 Ashford Court
Blacksburg, VA 24060, U.S.A.
Phone: (540) 449 9658
Fax: (540) 552 6999
Email: info@vaopto.com
www.vaopto.com

Distributors:

www.e-sonic.com
www.wescodist.com
www.wpgamericas.com
www.nacsemi.com