



July 27, 2009

LED SELF LIGHT

SPECIFICATION



cULus Pending File #E321933

RoHS Compliant  

World-class optoelectronic device manufacturing facility since 1969
25 million products manufactured daily
ISO14001 / ISO9001 / TS16949 Certified
White Licensed



Contents

Introduction 4
VO-SS-X-24T0-3 series..... 5
General Precautions 9
Warranty and Liability Information 9
Contact Us 9

Introduction

VaOpto's Light Emitting Diode (LED) Shelf Light Series saves energy and lasts a long life.

Environmentally Conscious

Energy efficient, lead free, and long life means fewer lamp replacements vs. standard halogen shelf light and incandescent light sources.

Outstanding Energy Efficiency

Compare to standard Incandescent light sources, VaOpto's LED Shelf Light Series are reducing energy consumption by 70%-80%. The lamps' optics concentrates light on the target, diminishing wasted extraneous light and increases the CBCP.

Long Life = Labor Savings

Delivers at least 70% of initial light output after at last 50,000 hours.

Various Colors

Red/Yellow/Green/Blue
Cool White (5000-10000K)
Neutral White (3700-5000K)
Warm White (2600-3700K)

Excellent Color Rendering

Cool White: CRI > 70
Neutral White: CRI > 75
Warm White: CRI > 80

Various Viewing Angles

30, 60, 90, 120, 150 degrees

VO-SS-X-24T0-3 Series where X may be CW, NW, or WW

Features:

- Red, Yellow, Green, Blue, White color.
- White color: 2600K~10000K Color Temperature
- Waterproof

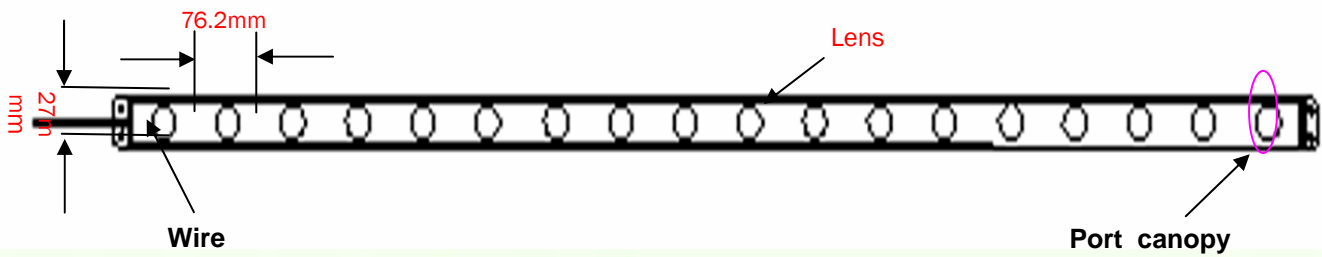
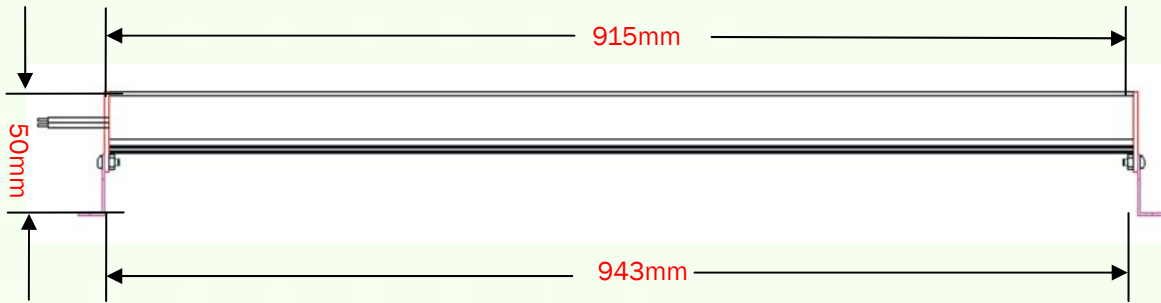
Applications:

- General Illumination
- Safety and Security
- Signaling
- Backlighting
- Sign and Decoration Lighting

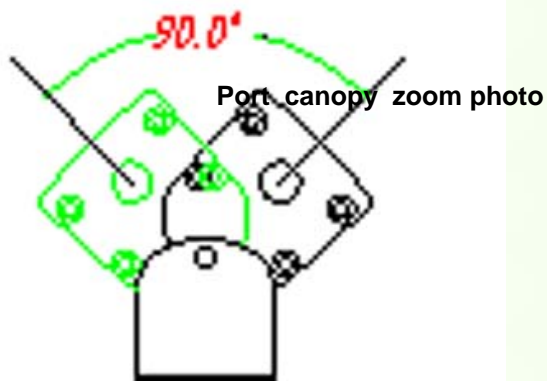
Absolute Maximum Ratings			
Parameter	Rating	Unit	Condition
DC	24	V	Ta - 25°C (77°F)
Working Current	300	mA	
Input Current	900	mA	
Operating Temperature	-25 ~ +50 (-13 ~ 122)	°C (°F)	
Storage Temperature	-30 ~ +85 (-22 ~ 185)	°C (°F)	
Median Life Expectancy	50,000	Hours	
Median Life Expectancy	20,000	Hours	Ta - 50°C (122°F)

Optical Characters					
Part No.	Color	Power (W)	LED Quantity (pcs)	Luminosity (lm)	CCT(K)
VO-SS-CW-24T0-3	Cool White	22	18	1800lm	5000-8000K
VO-SS-NW-24T0-3	Neutral White	22	18	1440lm	3700-5000K
VO-SS-WW-24T0-3	Warm White	22	18	1350lm	2800-3700K

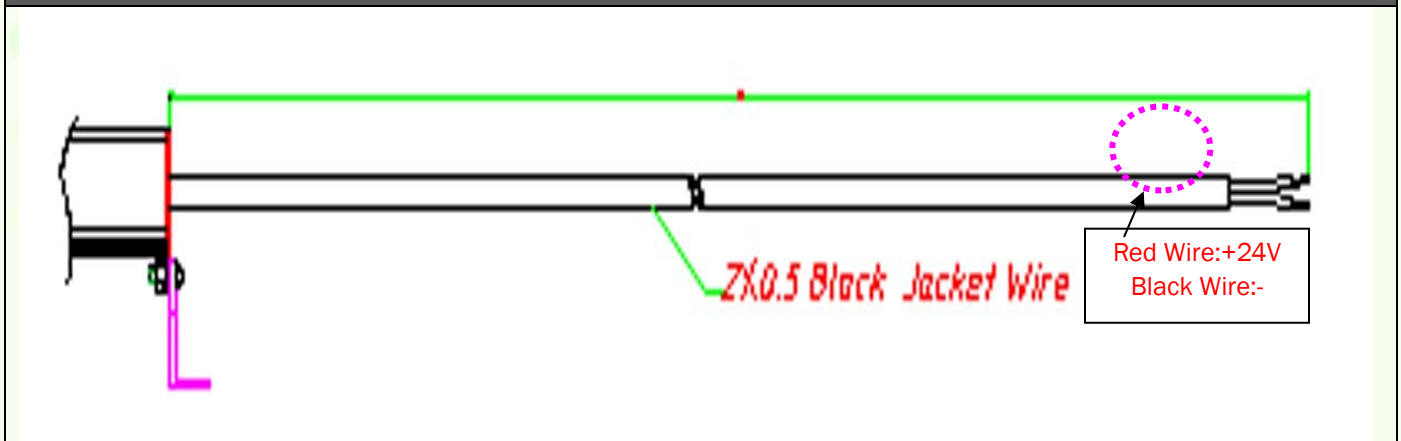
General Dimensions



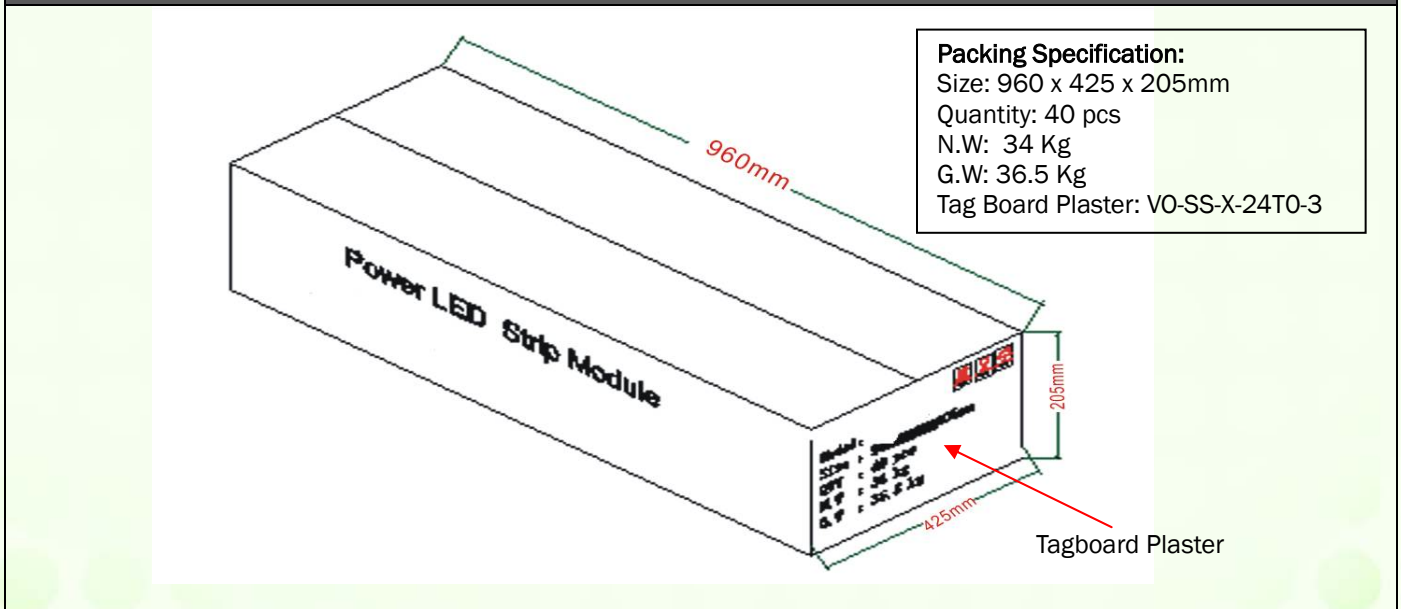
Port Canopy Zoom



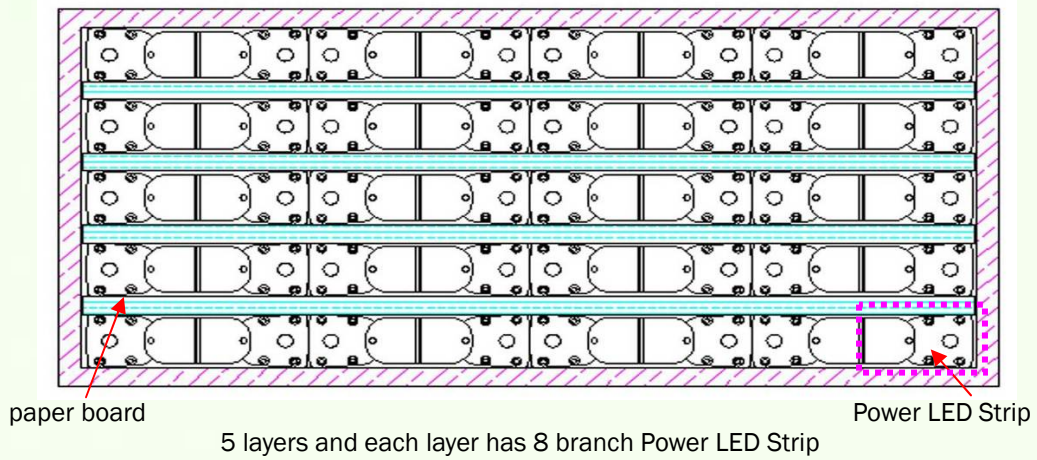
Wire Zoom



Outside Dimensions of Master Carton (unit: mm)

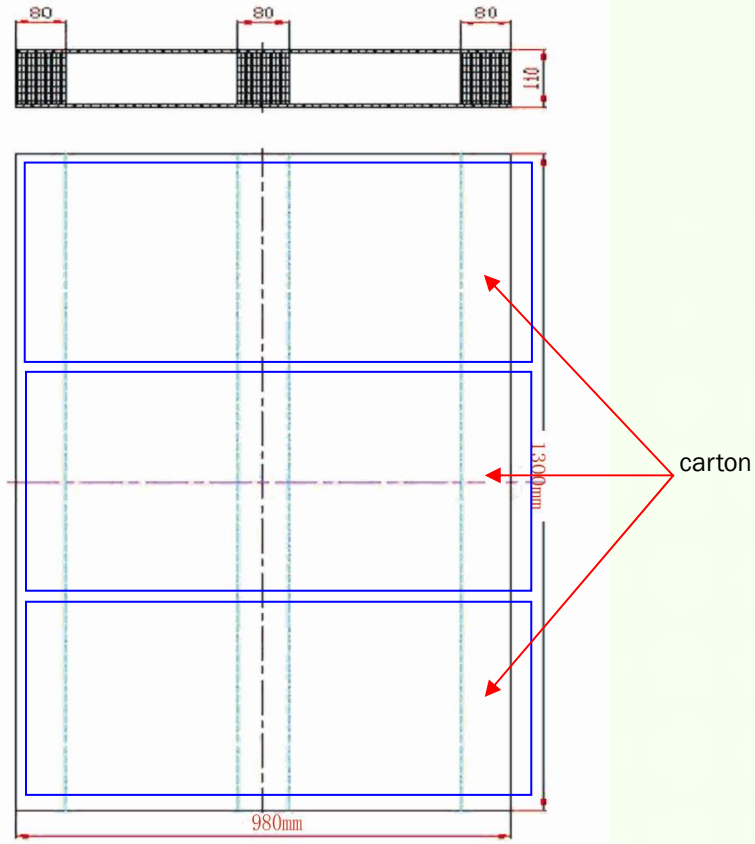


Package Section



Dimension of Paper Pallet (unit: mm)

3 master cartons
to be put on pallet
(1 layers and each
layer has 3cartons)



Precautions

- LEDs are static sensitive devices. Precautions should be taken to ensure that LEDs are well protected from ESD during handling.
- ESD protection for GaP and AlGaAs based chips is still necessary even though the chips are safe in low static-electric discharge events
- AlInGaP, GaN and/or InGaN based chips are STATIC SENSITIVE devices and ESD protection must be taken into consideration in the initial design stages.
- Do not operate LEDs in reverse bias.

Warranty and Liability Information

- Three-years limited warranty.
- The information contained herein is presented only as a guide for the applications of our products.
- No responsibility is assumed by VAOPTO for any infringements of intellectual property or other infringements of the rights of third parties that may result from its use.
- VAOPTO is committed to a process of continuous improvements of the quality and the features of its products and reserves the right to make changes that result in such improvements.
- VAOPTO products are not intended for use in applications where extraordinarily high reliability is required to prevent the loss of human life or where failure could result in bodily injury.
- VAOPTO limits the extent of our liability to the initial component cost and will, in the event of a failure, replace a failed component or refund the purchase price at VAOPTO option.

For customer service and technical support, please contact:

Headquarter:

Virginia Optoelectronics, Inc.
1405 Ashford Court
Blacksburg, VA 24060, U.S.A.
Phone: (540) 449 9658
Fax: (540) 552 6999
Email: info@vaopto.com
www.vaopto.com

Distributors:

www.e-sonic.com
www.wescodist.com
www.wpgamericas.com
www.nacsemi.com